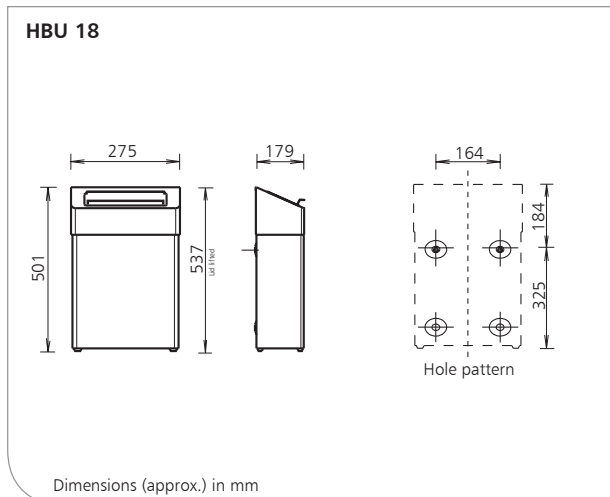
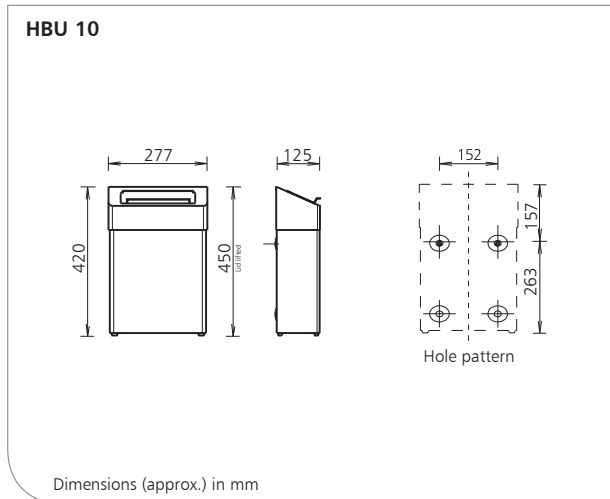


HBU 10 - HBU 18

Hygiene waste bin with compartmentalised lid with internal bag holder, stainless steel (AFP) or powder-coated, 10 liter or 18 liter



Product characteristics

- ▶ Hygiene waste bin with internal bag holder for hidden fastening of the waste bag
- ▶ With self-closing, maintenance-free hygiene compartmentalised lid for discrete disposal of used feminine hygiene articles without being able to see the interior of the container
- ▶ HBU 18 also suitable for the disposal of baby and adult nappies
- ▶ Housing with sloping lid to prevent foreign objects being placed on the dispenser
- ▶ Hygienic and easy-to-clean handle
- ▶ High-quality and robust stainless steel housing
- ▶ For wall-mounting or free-standing
- ▶ Head section can be removed to replace the waste bag
- ▶ Incl. mounting kit for two-point wall mounting

Interesting information

References: ▶ Conference centres, exhibitions, airports, train stations, catering, retirement/care homes, hospitals, laboratories, commercial kitchen, food processing, industry, shopping centres, hotels, correctional facilities, schools, kindergartens, sports centres, administration facilities

Application examples:

- ▶ Washrooms, toilets, baths, care and examination rooms, kitchens, entrance areas

Technical data HBU 10

Housing: Stainless steel AISI 304, brushed with Anti-Fingerprint Coating (AFP) or powder-coated white (RAL 9010)
 Mounting: With two wall plugs and stainless steel screws
 Capacity: 10 liter
 Wall mounting: Wall mounting with 2 screws and wall plugs

Technical data HBU 18

Housing: Stainless steel AISI 304, brushed with Anti-Fingerprint Coating (AFP) or powder-coated white (RAL 9010)
 Mounting: With two wall plugs and stainless steel screws
 Capacity: 18 liter
 Wall mounting: Wall mounting with 2 screws and wall plugs

Description for tender - see overleaf

HBU 10 - HBU 18/12/19/1.1



Subject to technical modifications.



Ophardt Hygiene-Technik GmbH + Co. KG
 Lindenau 27 | 47661 Issum | Germany
 Tel.: +49 (0) 28 35 18-10 | Fax +49 (0) 28 35 18-77
 planer@ophardt.com | www.ophardt.com

HBU 10 - HBU 18

Hygiene waste bin with compartmentalised lid with internal bag holder, stainless steel (AFP) or powder-coated, 10 liter or 18 liter

Description for tender HBU 10

... Pcs. **SanTRAL® HBU 10 E** Art. No. 1413344
Hygiene waste bin, 10 liter, made from brushed stainless steel with Ophardt hygiene Anti-Fingerprint Coating (AFP), internal bag holder, compartmentalised stainless steel lid, for wall-mounting and free-standing
Dimensions (W x H x D) 277 x 420 x 125 mm

... Pcs. **SanTRAL® HBU 10 P** Art. No. 1413345
Hygiene waste bin, 10 liter, white (RAL 9010) powder-coated stainless steel, internal bag holder, compartmentalised stainless steel lid, for wall-mounting and free-standing
Dimensions (W x H x D) 277 x 420 x 125 mm

Description for tender HBU 18

... Pcs. **SanTRAL® HBU 18 E** Art. No. 909700
Hygiene waste bin, 18 liter, made from brushed stainless steel with Ophardt hygiene Anti-Fingerprint Coating (AFP), internal bag holder, compartmentalised stainless steel lid, for wall-mounting and free-standing
Dimensions (W x H x D) 275 x 501 x 179 mm

... Pcs. **SanTRAL® HBU 18 P** Art. No. 852600
Hygiene waste bin, 18 liter, white (RAL 9010) powder-coated stainless steel, internal bag holder, compartmentalised stainless steel lid, for wall-mounting and free-standing
Dimensions (W x H x D) 275 x 501 x 179 mm

Product: **SanTRAL®**
Manufacturer: OPHARDT HYGIENE-TECHNIK GmbH + Co. KG

Compatible accessories

- ▶ HBU10: PB 1, grey plastic bags, 4x50 pcs., Art. No. 461500
- ▶ HBU 18: PB 2, grey plastic bags, 4x50 pcs., Art. No. 506100